

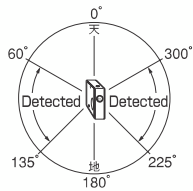
WIRELESS SECURITY SYSTEM

EXPLOSION PROTECTION/DRIP-PROOF FALLING DETECTION TRANSMITTER (FALLING CALL) EXH-TKB1



Soft case (Accessory)

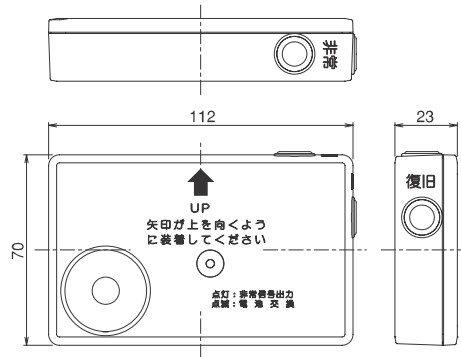
DETECTION AREA DIAGRAM



- An explosion protection and drip-proof type transmitter, applicable to various sites.
- Generates an alarm and automatically transmits a low power wireless signal when the person having this unit falls down for more than the set time, which is regarded as an emergency. (Falling retention timer: can be set to 10, 30, 60, and 120 sec.)
- Emergency calls are also available using the push button.
- Can be mounted around the belt of trousers using the attached soft case.
- Has a transmission delay timer function (Transmitted 10 seconds after the generation of the preliminary alarm)

* If carried in the attached soft case, it provides the drip-proof structure

EXTERNAL DIMENSIONS (UNIT: mm)



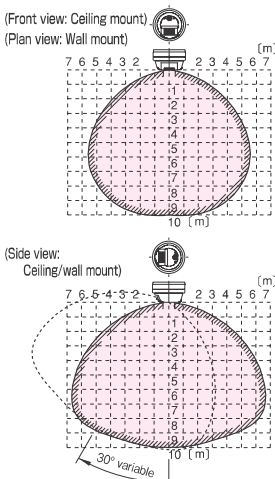
SPECIFICATIONS

Model No.	EXH-TKB1	
Power supply	4.5V DC AAA alkaline battery (LR03) x 3	
Battery life	Approx. 1 year (when transmitting (output) once a day, and ringing the alarm for 10 sec. at normal temperature)	
Explosion protection structure	Intrinsically safety explosion protection (i)	
Supported gas	Explosion class 2, ignition group G3	
Official test acceptance number	No. T61940	
Transmission part	Operating frequency band	426MHz band (wireless equipment of low power security system)
	Output	10mW max.
	Antenna	Incorporated
	Radio wave arrival distance	100m max. (line-of-sight distance)
Tilt detection angle	60° to 135° from vertical line	
Timer settings	Falling detection timer: 10, 30, 60, 120 sec Transmission delay timer: 0 (None), 10 sec.	
Operation switch	Normal button Recovery button	
Alarm sound	Preliminary alarm (beep, beep, beep, beep) Full alarm (Piririri, piririri) Sound volume: Approx. 90dB/1m	
Indicator (red LED)	Transmission (output): ON Battery exhaustion: Blinks	
Ambient temperature range	-10°C to +50°C (The battery function may deteriorate below 0°C or at 40°C or higher.)	
Additional functions	Battery exhaustion function, Regular transmission function	
Weight	Approx. 150g (including battery and soft case)	
Appearance	Housing: ABS resin (black) Soft case: PU resin (transparent, black)	

FLAME SENSOR TRANSMITTER TX-107



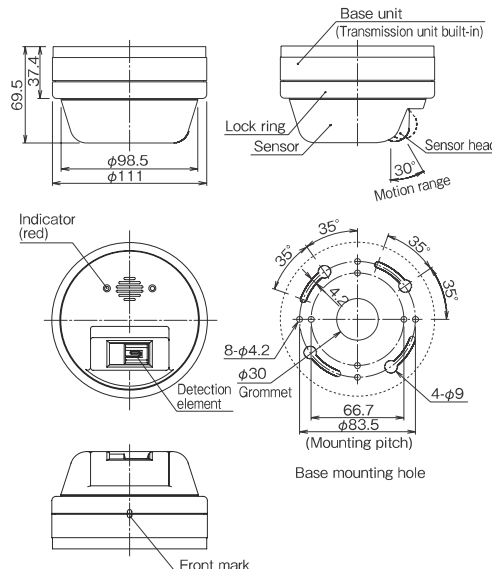
EXTERNAL DIMENSIONS (UNIT: mm)



Condition
Detection object: Gas lighter flame (Flame height: 7cm approx.)
Detection timer setting: H

- A transmitter to detect the ultraviolet light included in flames with a high sensitivity by combining with the low power wireless security system receiver.
- The sensor head can be adjusted every 25° horizontally and 30° vertically in 4 steps according to the installation site.
- The sensitivity can be set to either of 2 steps; High or Low, and detection timer to one of 4 steps (1, 6, 15, and 30 seconds) according to the environment.
- Has a low power wireless system with a long radio wave arrival distance (with a line-of-sight distance of 100m), strong against interference.
- When the battery is used as the power supply, the indicator blinks to notify battery exhaustion.
- Notifies the receiver when the sensor is removed due to vandalism or on purpose.
- Monitors the radio wave arrival status using the regular transmission function.

DETECTION AREA DIAGRAM



SPECIFICATIONS

Model No.	TX-107
Detection system	Ultra-violet detection system (Detection wave length 185 to 260nm)
Detection area	10m (7cm lighter flame in front)
Standard power supply	Dedicated lithium battery included (CR17450E-R-2-CM2)
Optional power supply	Dedicated AC adapter DC-1115 AA alkaline battery LR-6
Battery life	Approx. 5 year (In the standby state including regular transmission) *The battery life is only for reference for the operation at normal temperature, which is not guaranteed.
Operating frequency band (output)	426MHz band (10mW max.)
Radio wave arrival distance	Approx. 100m (line-of-sight distance)
Included functions	Battery exhaustion function, Regular transmission function, Tamper transmission function, Controlled transmission function
Mounting position	Indoor
Ambient temperature range	-10°C to +50°C
Weight	Approx. 260g (excluding battery)
Appearance	Housing: ABS resin

OPTIONAL ACCESSORIES



● Ceiling and wall mount attachment <BCW-401>



● AC adapter <DC-1115>



● AA alkaline battery <LR-6>



● Dedicated lithium battery <CR17450E-R-2-CM2>