

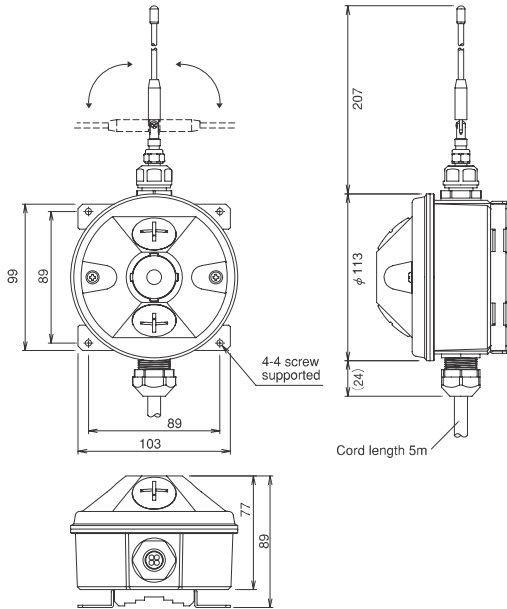
WIRELESS SECURITY SYSTEM

RECEIVER UNIT RX-10 RX-10A



- Two models with different power supplies are available, a DC type and AC type.
- The alarm output time can be selected from eight types of timer settings.
- Lead wire supplied together to help wiring.
- The battery exhaustion status of a transmitter can be confirmed with the operation indicator.
- Can be installed outdoors with its rainproof structure.
- Can be combined with an intimidation device such as a siren or light and used outdoors.
- Can be mounted on a wall or pole.
(An optional attachment band is required for pole mounting.)
- The antenna can be removed. You can store the main unit in a box and connect an extension antenna.

EXTERNAL DIMENSIONS (UNIT: mm)



SPECIFICATIONS

Model No.	RX-10	RX-10A
Voltage	10 to 28V DC (with polarity)	100V AC 50/60Hz
Current/power consumption	100mA	2W
Operating frequency band	426MHz band (wireless equipment of low power security system)	
Coverage distance	Approx. 100m (line-of-sight distance)	
Antenna	$\lambda / 4$ whip antenna	
Contact output	Alarm: Dry relay contact N.O. / N.C. selectable	
Contact capacity	100V AC 500W max. (incandescent lamp load) 30V DC 5A max. inductive load	
Alarm output timer	3/10/30/60 sec. / 2/3/5 min. / Continuous (Off delay operation) Retained until the power is turned OFF, when [Continuous] is set.	
Indicator	Power ON: Green light ON Battery exhaustion: Green light blinks Reception: Red light ON (synchronized with the alarm output) Lack of reception sensitivity: Red light blinks (for approx. 3 sec. after reception) Registration mode: Red and green lights ON alternately.	
Allowable number of registered transmitters	30 units	
Wiring	With the cable (5m)	
Ambient temperature range	-10°C to +50°C	
Weight	Approx. 950g (including cable)	Approx. 1,000g (including cable)
Appearance	AES resin	