

WIRELESS SECURITY SYSTEM

■ MULTI-CHANNEL RECEIVER UNIT RX-1000 RX-2000 RX-3000

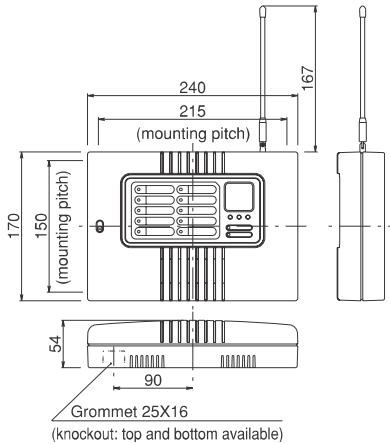


■ EXTERNAL DIMENSIONS
(UNIT: mm)

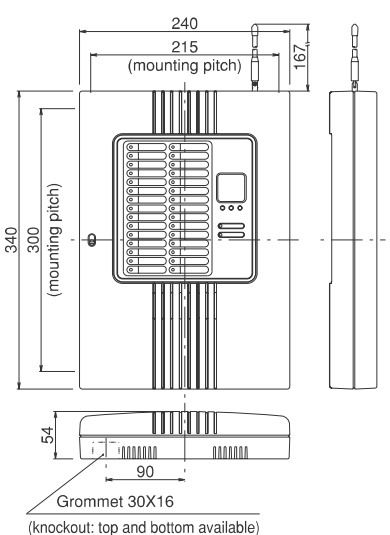
- Receiver unit for large facilities, including buildings, public institutions, and schools. Receives the radio wave from each transmitter in the wireless security system, and notifies of an emergency, break-in, or fire via various notification devices or a multi-channel controller.
- Offers three types with a different independent output to deal with security, disaster prevention, and protection systems in large buildings. The following models can be selected according to the security scale.
 - ◀RX-1000▶ 10 channel indicators and independent output
 - ◀RX-2000▶ 20 channel indicators and independent output
 - ◀RX-3000▶ 30 channel indicators and independent output
- Up to 60 transmitters can be assigned into channels and registered. Allows you to register all 60 units into 1 channel or 30 units into 2 channels respectively.
- Equipped with four error output circuits including a tamper output to notify of vandalism, environmental trouble output to notify of disturbing waves or peripheral noise, battery exhaustion and regular transmission error outputs, in addition to one circuit for general alarm output.
- Clearly displays the channel and address (registration no.) of the transmitter which sends the radio wave on the LCD to enable easy identification of the transmitter. Also, controls the alarm memory in conjunction with the alarm set or cancel.
- Displays the radio wave reception status from the transmitter using the audio and 4-step LCD displays.

Contact output		
RX-1000	RX-2000	RX-3000
Alarm output General output x 1 Dry N.O.N.C. Individual output x 10 Dry semiconductor N.O. / N.C. selectable contact (individually)	Alarm output General output x 1 Dry N.O.N.C. Individual output x 20 Dry semiconductor N.O. / N.C. selectable contact (individually)	Alarm output General output x 1 Dry N.O.N.C. Individual output x 30 Dry semiconductor N.O. / N.C. selectable contact (individually)
Error output Tamper output x 1 Battery exhaustion alarm output x 1 Regular transmission error output x 1 Environmental trouble output x 1 Dry semiconductor contact (N.O. / N.C. collectively selectable)	Error output Tamper output x 1 Battery exhaustion alarm output x 1 Regular transmission error output x 1 Environmental trouble output x 1 Dry semiconductor contact (N.O. / N.C. collectively selectable)	Error output Tamper output x 1 Battery exhaustion alarm output x 1 Regular transmission error output x 1 Environmental trouble output x 1 Dry semiconductor contact (N.O. / N.C. collectively selectable)

<RX-1000>



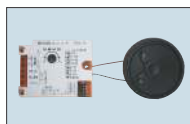
<RX-2000/3000>



■ SPECIFICATIONS

Model No.	RX-1000	RX-2000	RX-3000
Voltage	100V AC 50/60Hz or 10 to 18V DC		
Power / current consumption	6W or 350mA	8W or 450mA	10W or 550mA
Operating frequency band	426MHz band (wireless equipment of low power security system)		
Coverage distance	Approx. 100m (line-of-sight distance)		
Antenna	$\lambda / 4$ whip antenna		
Alarm general output	Dry N.O.N.C. 30V AC/DC 0.5A		
Separate alarm output	Contact type: Dry semiconductor N.O. / N.C. selectable (individually)		
	10 circuits	20 circuits	30 circuits
Error output	Contact type: Dry semiconductor contact (N.O. / N.C. collectively selectable) 30V AC/DC 0.25A Tamper, battery exhaustion, regular transmission, environment, 4 circuits in total		
Alert/Cancellation output	Dry N.O.N.C. 30V AC/DC 0.5A		
Alert/Cancellation input	1 circuit N.O. / N.C. selectable contact		
Power/reception indicator	2-color LED Power ON: Green light ON (Red light ON only for reception)		
CH indicator	Red LED Alarm reception: ON Error/Memory: Blinks		
	10	20	30
LED display	Displayed when the alarm or error occurs (including the memory function) Displayed during operation, such as registration, cancellation, inspection, or check.		
Alarm sound	When pressing the LCD operation buttons: Beep Inspection mode: Pu Transmitter battery exhaustion: Beep (every 20 sec.) Registration error: Bu Volume fixed for all events		
Allowable number of registered transmitters	60 units		
Included functions	Memory function, Tamper function		
Wiring	Terminals		
Mounting position	Indoor (wall mount type)		
Ambient temperature range	-10°C to +50°C		
Weight	Approx. 1,300g	Approx. 2,000g	Approx. 2,000g
Appearance	ABS resin (white)		

■ OPTIONAL ACCESSORIES



- Alarm sound unit
<RXB-01>

*12V DC power supply is required.