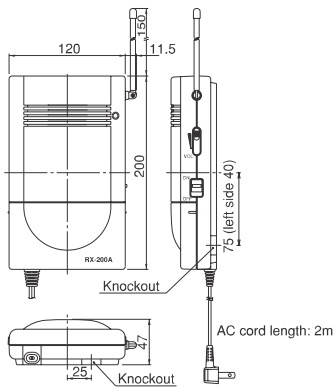


RECEIVER RX-200A-S



EXTERNAL DIMENSIONS (UNIT: mm)



- Up to 30 transmitters can be assigned into four groups and registered. Needless to say, all 30 units can be registered into one channel.
- To register a transmitter, simply set the receiver to "Registration mode" and operate the transmitter to send the radio wave signal.
- The alarm volume can be adjusted according to the location, using the volume dial on the side of the receiver, from 0 to 75dB.
- Receives the battery exhaustion signal from each transmitter, and notifies of the battery exhaustion state with blinking of the operation indicator and an intermittent chime corresponding with the reception channel.
- Both AC/DC power supply terminals can be used according to the location. Ready to use by simply inserting the 2m long AC cord equipped from the factory into an outlet.
- When receiving the radio wave signal from a transmitter, the operation indicator will blink, the dry contact will be output, and the chime corresponding with the reception channel will ring.

Chime sound	Contact output
Channel 1: Ding-dong	Alarm output (General): Dry relay contact SPDT 30V AC/DC, 0.5A One-shot operation
Channel 2: Beep beep-beep beep	
Channel 3: Ring-ring	
Channel 4: Pororon	

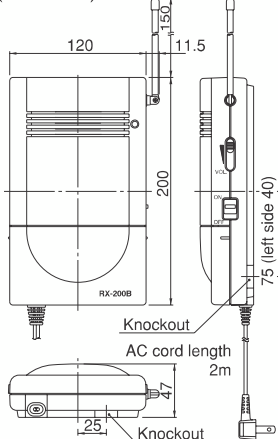
SPECIFICATIONS

Model No.	RX-200A-S
Voltage	100V AC (50/60Hz) or 10 to 16V DC
Power/current consumption	5W or 280mA max.
Operating frequency band	426MHz band (wireless equipment of low power security system)
Coverage distance	Approx. 100m (line-of-sight distance)
Antenna	$\lambda/4$ whip antenna
Contact output	Contact type: General dry relay contact (N.O./N.C.) Contact rating: 30V AC/DC, 0.5A (resistive load) Contact operation: One-shot operation for reception of CH1 to CH4 (approx. 4 seconds)
Alarm sound	CH1: Ding-dong CH2: Beep beep-beep beep CH3: Ring-ring CH4: Pororon Sound duration: Approx. 6 sec Sound volume: 0 to 75dB/1m ahead Changeable using the sound volume Battery exhaustion alarm: Chime rings intermittently.
Indicator	2-color LED (red and green) Power ON: Green light ON Battery exhaustion alarm: Green light blinks Reception of CH1 to CH4: Red light ON (synchronized to alarm output) Lack of reception sensitivity: Red light blinks (synchronized to alarm output) Registration mode: Red and green lights ON alternately.
Operation switch	Power switch Registration channel selector (internal) Cancellation switch (internal)
Allowable number of registered transmitters	30 units
Wiring	Terminals (AC power supply input: Plug and terminal types combined)
Mounting position	Indoor (wall mount type)
Ambient temperature range	-10°C to +50°C
Weight	Approx. 650g
Appearance	ABS resin (white)

RECEIVER RX-200B-S



EXTERNAL DIMENSIONS (UNIT: mm)



- Up to 30 transmitters can be assigned into four groups and registered. Needless to say, all 30 units can be registered into one channel.
- To register a transmitter, simply set the receiver to "Registration mode" and operate the transmitter to send the radio wave signal.
- The alarm volume can be adjusted according to the location, using the volume dial on the side of the receiver, from 0 to 75dB.
- Receives the battery exhaustion signal from each transmitter, and notifies of the battery exhaustion state with blinking of the operation indicator and an intermittent chime corresponding with the reception channel.
- Both AC/DC power supply terminals can be used according to the location. Ready to use by simply inserting the 2m long AC cord equipped from the factory into an outlet.
- When receiving the radio wave signal from a transmitter, the operation indicator will blink, the dry contact will be output, and the chime corresponding with the reception channel will ring.
- Equipped with a battery exhaustion alarm and regular transmission error outputs.
- Incorporates a power supply switch lock function.
- When combined with a contact input type transmitter, the operation mode can be selected (one-shot or retention operation).

Chime sound	Contact output
Channel 1: Ding-dong	Alarm output (General): Dry relay contact SPDT 30V AC/DC, 0.5A One-shot operation
Channel 2: Beep beep-beep beep	
Channel 3: Ring-ring	
Channel 4: Pororon	

SPECIFICATIONS

Model No.	RX-200B-S
Voltage	100V AC (50/60Hz) or 10 to 16V DC
Power/current consumption	5W or 220mA
Operating frequency band	426MHz band (wireless equipment of low power security system)
Coverage distance	Approx. 100m (line-of-sight distance)
Antenna	$\lambda/4$ whip antenna
Contact output	Contact type: General dry relay contact (SPDT) Contact rating: 30V AC/DC, 0.5A (resistive load) Contact operation: One-shot operation for reception of CH1 to CH4 (approx. 4 seconds) Battery exhaustion alarm output Dry semiconductor contact (N.O. / N.C. collectively selectable) Regular transmission error output Dry semiconductor contact (N.O. / N.C. collectively selectable)
Alarm sound	CH1: Ding-dong CH2: Beep beep-beep beep CH3: Ring-ring CH4: Pororon Sound duration: Approx. 6 sec Sound volume: 0 to 75dB/1m ahead Changeable using the sound volume Battery exhaustion alarm: Chime rings intermittently.
Allowable number of registered transmitters	30 units
Data storage function	Available
Wiring	Terminals (AC power supply input: Plug and terminal types combined)
Mounting position	Indoor (wall mount type)
Ambient temperature range	-10°C to +50°C
Weight	Approx. 650g
Appearance	ABS resin (white)