

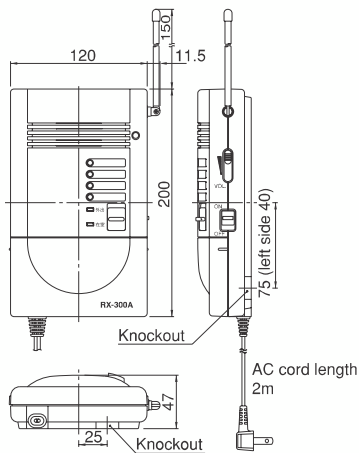
# WIRELESS SECURITY SYSTEM

## RECEIVER RX-300A-S



- Up to 30 transmitters can be assigned into four groups and registered. Needless to say, all 30 units can be registered into one channel.
- To register a transmitter, simply set the receiver to "Registration mode" and operate the transmitter to send the radio wave signal.
- The alarm volume can be adjusted according to the location, using the volume dial on the side of the receiver, from 0 to 75dB. (The volume will be automatically set to the maximum 75dB in the outing alert setting.)
- Receives the battery exhaustion signal from each transmitter, and notifies the state with blinking of the channel indicator and intermittent chime corresponding with the reception channel. (Only during the presence alert)
- Both AC/DC power supply terminals can be used according to the location.  
Ready to use by simply inserting the 2m long AC cord equipped from the factory into an outlet.
- Since the alert mode is switchable between the presence and outing modes, you can set the visitor chime when you are present and the security system when you are out.
- Automatically conducts a loop check (lock up check) when the outing alert is set, and notifies of an error (if any) by generating the check sound (beep-beep-beep) and alternately lighting the alert mode indicator. Shifts to the alert mode if no error occurs.
- An alert / Alarm delay function (0 sec., 30 sec., 1 min., 2 min.) is built in.
- The alarm output timer is switchable between four steps. (3 sec, 30 sec., 2 min., 5 min.)
- When receiving a signal from a transmitter during the outing alert mode, the indicator of the reception channel will blink and the memory display will appear.
- Power can be supplied to an external device during operation at 100V AC. (12V DC, 150mA max.)
- When receiving the radio wave signal from a transmitter, the unit notifies the state with a chime corresponding to the reception channel and one contact output during the presence alert. During the outing alert, with the alarm sound and three types of contact output.

## EXTERNAL DIMENSIONS (UNIT: mm)



## SPECIFICATIONS

Model No.	RX-300A-S	
Voltage	100V AC (50/60Hz) or 10 to 16V DC	
Power/current consumption	12W or 350mA max.	
Operating frequency band	426MHz band (wireless equipment of low power security system)	
Coverage distance	Approx. 100m (line-of-sight distance)	
Antenna	$\lambda / 4$ whip antenna	
Contact output	General output	Contact type: Dry relay contact (N.O.N.C.) Contact rating: 30V AC/DC, 0.5A (resistive load) Contact operation: One-shot operation for reception of CH1 to CH4 (approx. 4 seconds)
	Output (1) (Operates only during the outing alert)	Contact type: Dry relay contact (N.O.) Contact rating: 100V (AC) 500W max. (incandescent lamp load) Contact operation: Timer operation for reception of CH1 to CH4
	Output (2) (Operates only during the outing alert)	Contact type: Dry relay contact (N.O.) Contact rating: 30V AC/DC, 0.5A (resistive load) Contact operation: Timer operation for reception of CH1 to CH4
Power output	150mA max. 12V DC	
Alarm sound	During the presence alert CH1: Ding-dong CH2: Beep beep-beep beep CH3: Ring-ring CH4: Pororon Sound duration: Approx. 6 sec Sound volume: 0 to 75dB/1m ahead • Changeable using the sound volume During the outing alert CH1 to CH4: Peepo-peepo Sound duration: Alarm output timer time Sound volume: 75dB/1m ahead, fixed Loop check error sound: Beep-beep-beep Battery exhaustion alarm: Chime rings intermittently. (Only during the presence alert)	
Indicator	Power indicator (green)	Power ON: ON Battery exhaustion alarm: Blinks
	Channel indicator (red)	Alarm signal reception: Signal received channel ON (until recovery) Tamper signal reception: Signal received channel blinks (until recovery) Registration mode: Registered channel blinks
	Alert mode indicator (green)	Outing alert mode: Outing alert indicator ON Presence alert mode: Outing alert indicator ON Loop check error: Outing and presence alert indicators ON alternately
Operation switch	Power switch    Alert mode selector Registration channel selector (internal)    Cancellation switch (internal)	
Allowable number of registered transmitters	30 units	
Timer function	Alarm output timer: 3 sec, 30 sec, 2 min, 5 min Alarm alert delay timer: 0, 30 sec., 1 min., 2 min. (effective only during the outing alert)	
Wiring	Terminals (AC power supply input: Plug and terminal types combined)	
Mounting position	Indoor (wall mount type)	
Ambient temperature range	-10°C to +40°C	
Weight	Approx. 700g	
Appearance	ABS resin (white)	