

# WIRELESS SECURITY SYSTEM

## RECEIVER RX-350

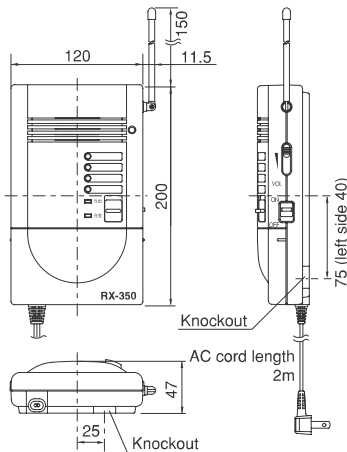


- Assigns four channels into the operation application and generates a chime sound, alarm or alarm output according to the alert status.  
Each channel application is as follows: CH1: Intrusion 1/chime, CH2: Intrusion 2 (Perimeter), CH3: Intrusion 3 (Indoor), CH4: Emergency/gas/fire. There are additional two alert modes, presence and outing. Performs a different alert operation for each channel.
- Assign transmitters into the channels according to their application and register them. Up to 30 units can be registered, which allows you to register all 30 units into 1 channel or 15 units into 2 channels (total 30 units) respectively.
- To register a transmitter, simply set the receiver to "Registration mode" and operate the transmitter to send the radio wave signal.
- Receives the battery exhaustion signal from each transmitter, and notifies of the battery exhaustion state with blinking of the channel indicator and an intermittent chime. (Only during the presence alert)
- Both AC/DC power supply terminals can be used according to the location.
- Automatically conducts a loop check (lock up check) when the outing alert is set, and notifies of an error (if any) by generating the check sound (beep-beep-beep) and alternately lighting the alert mode indicator. Shifts to the alert mode if no error occurs.
- An alert /Alarm delay function (0 sec., 30 sec., 1 min., 2 min.) is built in.
- The alarm output timer is switchable between four steps. (3 sec., 30 sec., 2 min., 5 min.)

### SPECIFICATIONS

Model No.	RX-350	
Voltage	100V AC (50/60Hz) or 10 to 16V DC	
Power/current consumption	12W or 350mA max.	
Operating frequency band	426MHz band (wireless equipment of low power security system)	
Coverage distance	Approx. 100m (line-of-sight distance)	
Antenna	$\lambda / 4$ whip antenna	
Contact output	General dry relay contact (SPDT) Contact rating: 30V AC/DC, 0.5A (resistive load) Contact operation: One-shot operation for reception of CH1 to CH4 (approx. 4 seconds)	
	Output (1) Dry relay contact (N.O.) (Operates in conjunction with the alarm sound) Contact rating: 100V (AC), 500W max. (incandescent lamp load) Contact operation: Timer operation for reception of CH1 to CH4	
	Output (2) Dry relay contact (N.O.) (Operates in conjunction with the alarm sound) Contact rating: 30V AC/DC, 0.5A (resistive load) Contact operation: Timer operation for reception of CH1 to CH4	
Power output	150mA max. 12V DC	
Alarm sound	When canceled	CH1 to CH3: Operation stopped CH4: Peepo
	During the presence alert	CH1: Ding-dong CH2: Peepo CH3: Operation stopped CH4: Peepo
	During the outing alert	CH1 to CH4: Peepo
	Sound duration	Chime sound: Approx. 6 sec. Alarm sound: Alarm output timer time
	Sound volume	Chime sound: 0 to 75dB/1m ahead, Changeable using the sound volume Alarm sound: 75dB/1m ahead, fixed
	Loop check error sound: Beep-beep-beep	
	Battery exhaustion alarm: Chime rings intermittently. (Only during the presence alert)	
Indicator	Power indicator (green)	Power ON: ON Battery exhaustion alarm: Blinks (only during the alert)
	Channel indicator (red)	Alarm signal reception: Signal received channel ON (until recovery) Tamper signal reception: Signal received channel blinks (until recovery) Registration mode: Registered channel blinks
	Alert mode indicator (green)	Outing alert mode: Outing alert indicator ON Presence alert mode: Outing alert indicator ON Loop check error: Outing and presence alert indicators ON alternately
Operation switch	Power switch, Alert mode selector, Registration channel selector (internal), Cancellation switch (internal)	
Allowable number of registered transmitters	30 units	
Timer function	Alarm output timer: 3 sec, 30 sec, 2 min, 5 min Alarm alert delay timer: 0 sec, 30 sec, 1 min, 2 min (Only CH1 and CH3 are effective during the outing alert)	
Wiring	Terminals (AC power supply input: Plug and terminal types combined)	
Mounting position	Indoor (wall mount type)	
Ambient temperature range	-10°C to +40°C	
Weight	Approx. 700g	
Appearance	ABS resin (white)	

### EXTERNAL DIMENSIONS (UNIT: mm)



Mode CH	Outing alert mode (Alert when no one is at home, such as when you are out)		Presence alert mode (Alert when you are at home, such as when you are asleep)		Cancellation mode (When the outing or presence alert is not set)	
	Alarm sound	Alarm output	Alarm sound	Alarm output	Alarm sound	Alarm output
CH1	Alarm sound "Peepo" Sound volume: Fixed	Outputs 1 and 2 and general output operate after the time set for alert/alarm delay elapsed.	Chime sound "Ding-dong"	General output only	Operation stopped	Operation stopped
CH2	Alarm rings after the time set for alert/alarm delay elapsed.)		Alarm sound "Peepo"	Outputs 1 and 2 and general output		
CH3			Operation stopped	Operation stopped		
CH4	Alarm sound "Peepo" Sound volume: Fixed	Outputs 1 and 2 and general output immediately operate	Alarm sound "Peepo"	Outputs 1 and 2 and general output	Alarm sound "Peepo"	Outputs 1 and 2 and general output