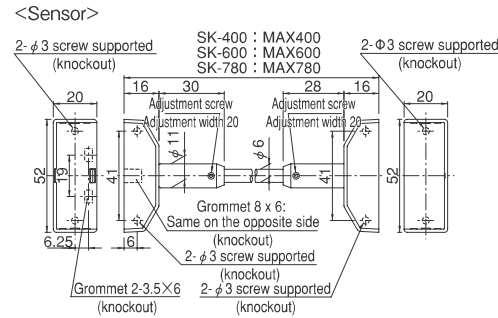


■ STICK SENSOR TRANSMITTER TX-102S400 TX-102S600 TX-102S780

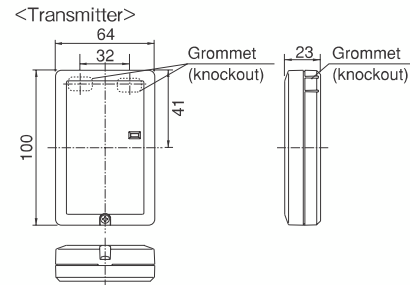
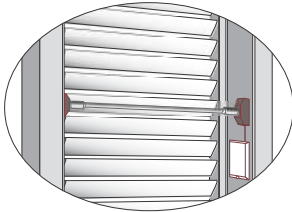


- A transmitter combining TX-102A with the stick sensor.
- Can be installed on various types of windows, like glass louver or fixed windows. Outputs the detection signal when the installed pole is removed, and transmits the signal via the radio wave to the receiver.
- Three types are available according to the window frame size. (Stick size: 400mm, 600mm, 780mm)
- The transmission function is the same as that of TX-102A.
- Has a radio wave arrival distance of approx. 100m (line-of-sight distance)

■ EXTERNAL DIMENSIONS (UNIT: mm)



■ INSTALLATION EXAMPLE

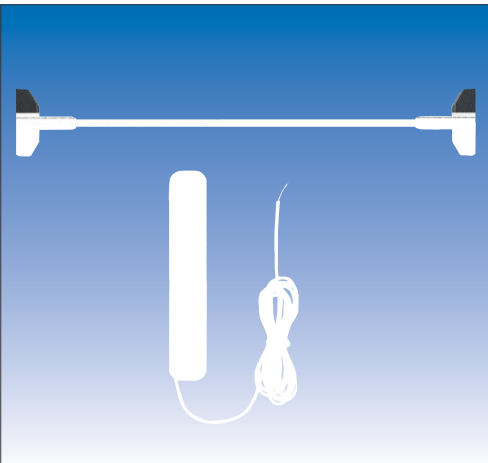


■ SPECIFICATIONS

Model No.	TX-102S400	TX-102S600	TX-102S780
Stick sensor			
Switching life	100,000 operations min.		
Ambient temperature range	-25°C to +60°C		
Mounting position	Outdoor, indoor (Caulking necessary on the terminals for outdoor installation)		
Weight	Approx. 90g	Approx. 110g	Approx. 130g
Appearance	Pole, pole end: Stainless Base, cover: PC resin (bronze)		
Transmitter			
Power supply	9V DC alkaline battery, 6LR61 (lithium battery U9VL) or external power supply of 10 to 15VDC (40mA)		
Battery life	Approx. 2 years (10 transmissions per day, at normal temperature) *The battery life is only for reference for the operation at normal temperature, which is not guaranteed.		
Radio wave arrival distance	Approx. 100m (line-of-sight distance)		
Ambient temperature range	-10°C to +50°C (The battery function may deteriorate below 0°C or at 40°C or higher.)		
Mounting position	Indoor (wall mounting)		
Included functions	One-shot transmission/repeat transmission switchover function Battery exhaustion alarm function Regular transmission function Body tamper		
Weight	Approx. 120g (including battery)		
Appearance	ASA resin (white)		

\*The transmission part is the same as that of TX-102A.

■ WATERPROOF STICK SENSOR TRANSMITTER TX-119S400 TX-119S600 TX-119S780



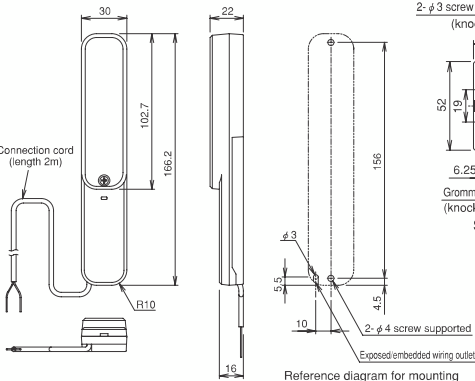
- A transmitter combining the waterproof contact input transmitter TX-119 with the stick sensor SK-400/600/780 (bronze color only).
- Suitable for the alert of jalousie windows in the bathroom as both the stick sensor and transmitter are waterproof.
- The stick sensor and 2m long connection cable are attached with the transmitter body.
- Switchable between the one-shot and repeat transmission modes
- The transmitter includes an anti-tampering function.

■ SPECIFICATIONS

Model No.	TX-119S400	TX-119S600	TX-119S780
Stick sensor			
Switching life	100,000 operations min.		
Ambient temperature range	-25°C to +60°C		
Mounting position	Outdoor, indoor (Caulking necessary on the terminals for outdoor installation)		
Weight	Approx. 90g	Approx. 110g	Approx. 130g
Appearance	Pole, pole end: Stainless Base, cover: PC resin (bronze)		
Transmitter			
Power supply	AAA alkaline battery LR03 x 2 (3V DC)		
Battery life	Approx. 2 years (20 transmissions per day) *The battery life is only for reference for the operation at normal temperature, which is not guaranteed.		
Radio wave arrival distance	Approx. 100m (line-of-sight distance)		
Ambient temperature range	-10°C to +50°C (The battery function may deteriorate below 0°C or at 40°C or higher.)		
Mounting position	Indoor, outdoor		
Included functions	One-shot transmission/repeat transmission switchover function Controlled transmission function Battery exhaustion alarm function Regular transmission function Body tamper		
Weight	Approx. 100g (including battery)		
Appearance	ASA resin (bronze)		

■ EXTERNAL DIMENSIONS (UNIT: mm)

<Transmitter>



<Sensor>

