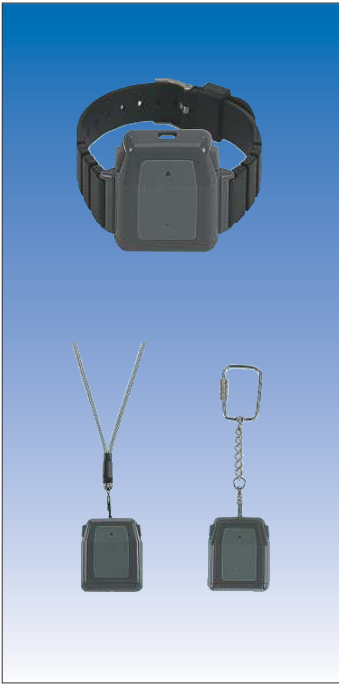


WIRELESS SECURITY SYSTEM

■ PENDANT/WATCH TYPE TRANSMITTER TX-104B TX-104P TX-104K



- Portable compact transmitter to be used via one touch operation.
- Three types are available; watch type (TX-104B), pendant type (TX-104P), and key ring type (TX-104K). Selectable according to your purpose.
- Two transmission modes are available: one-shot transmission which transmits the radio wave once every push of two buttons on the right and left sides at the same time, and continuous transmission which keeps transmitting until reset.
- Has a simple waterproof structure, which enables use in places exposed to water, such as a kitchen or bathroom.
- The battery normally lasts around 2 years when transmitting once a day.
- Utilizes a button type alkaline battery for simple replacement.
- Monitors the radio wave arrival status using the regular transmission function.
- Transmits the battery exhaustion signal to the receiver and the body indicator blinks when the battery voltage drops below a certain level.

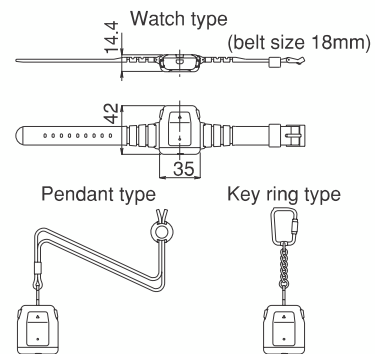
* One-side push type is also available.
 TX-104B-S (Watch type)
 TX-104P-S (Pendant type)
 TX-104K-S (Key ring type)

Simple one-side push type is most suitable for elderly people.

■ SPECIFICATIONS

Model No.	TX-104B	TX-104P	TX-104K
Type	Watch type	Pendant type	Key ring type
Voltage	3V DC button-type alkaline battery (LR44 x 2) included		
Battery life	Approx. 2 years (1 transmission per day) *The battery life is only for reference for the operation at normal temperature, which is not guaranteed.		
Operating frequency band (output)	426MHz band (10mW max.)		
Radio wave arrival distance	Approx. 100m (line-of-sight distance)		
Included functions	Battery exhaustion function/Regular transmission function/Transmission mode changeover function/Simple water protection structure		
Ambient temperature range	-10°C to +50°C		
Weight	Approx. 20g (transmitter body including battery)		
Appearance	Housing: ABS resin (gray)		

■ EXTERNAL DIMENSIONS (UNIT: mm)

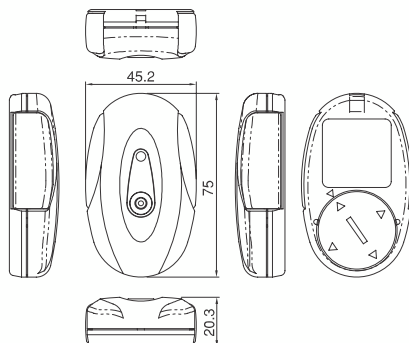


■ PENDANT TYPE WATERPROOF TRANSMITTER TX-110



- A pendant type transmitter to be used with a simple light push of the button.
- Two transmission modes are available: "one-shot transmission mode" to transmit three times every 2.1 sec. every push of the button, and "continuous transmission mode" which keeps transmitting until reset.
- A waterproof transmitter for daily life which can be used in the kitchen or bathroom while attached. (Do not immerse in water.)
- The battery normally lasts around 2 years when transmitting once a day.
- Monitors the radio wave arrival status using the regular transmission function.
- Transmits the battery exhaustion signal to the receiver and the body indicator blinks when the battery voltage drops below a certain level.

■ EXTERNAL DIMENSIONS (UNIT: mm)



■ SPECIFICATIONS

Model No.	TX-110
Type	Pendant type
Voltage	3V DC button-type alkaline battery (LR44 x 2) included
Battery life	Approx. 2 years (1 transmission per day) *The battery life is only for reference for the operation at normal temperature, which is not guaranteed.
Operating frequency band (output)	426MHz band (10mW max.)
Radio wave arrival distance	Approx. 100m (line-of-sight distance)
Included functions	One-shot transmission/Continuous transmission changeover function, Battery exhaustion function, Regular transmission function
Ambient temperature range	-10°C to +50°C
Weight	Approx. 45g (including battery and neck strap)
Appearance	ABS resin (white)