

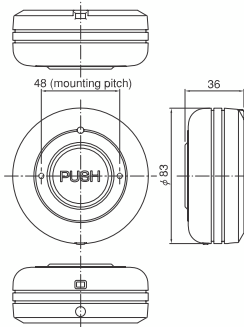
■PUSH BUTTON WATERPROOF TRANSMITTER TX-113



Table type

- Can be used as an emergency push button.
- A waterproof transmitter for daily life which can be used in a bathroom or outdoors.
- Can be mounted on the wall or simply placed on the table according to the situation and purpose of use.
- Switchable between the one-shot and continuous transmission modes
- 2 AAA alkaline batteries for the power supply.
- The battery normally lasts around 2 years when transmitting 10 times a day.

■EXTERNAL DIMENSIONS (UNIT: mm)



■OPTIONAL ACCESSORIES



When the protector is attached

- Protector <BPR-113>

■SPECIFICATIONS

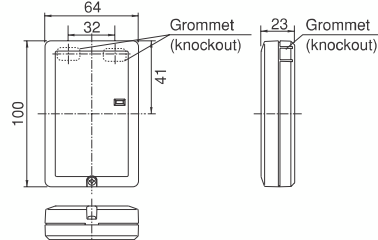
Model No.	TX-113	
Power supply	AAA alkaline battery x 2 (3V DC)	
Battery life	Approx. 2 years (10 transmissions per day, at normal temperature) *The battery life is only for reference for the operation at normal temperature, which is not guaranteed.	
Operating frequency band	426MHz band (wireless equipment of low power security system)	
Output	10mW max.	
Radio wave arrival distance	100m max. (line-of-sight distance)	
Antenna	Incorporated	
Indicator (red LED)	Transmission: ON Battery exhaustion: Blinks	
Mounting position	Indoor, outdoor	
Ambient temperature range	-10°C to +50°C	
Waterproof	Waterproof for daily life	
Included functions	One-shot transmission/Continuous transmission changeover function Battery exhaustion function Regular transmission function	
Weight	Approx. 140g (including battery)	
Appearance	AES resin (white)	

■CONTACT INPUT TYPE TRANSMITTER TX-102A TX-102BK



- Transmitter used to incorporate the wired sensors including the shutter and glass breakage sensor, and/or alarm box into this system.
- Two type transmission modes are available: one-shot transmission which transmits radio wave for one second at the sensor signal input and recovery respectively, and repeat transmission which transmits every 20 seconds from the sensor signal input to recovery.
- The input signal can be switched between N.O. and N.C., which corresponds with various sensors (TX-102BK is for N.C. only.)
- The battery normally lasts around 2 years when transmitting 10 times a day.
- Utilizes alkaline batteries for simple replacement.
- Monitors the radio wave arrival status using the regular transmission function.
- Transmits the battery exhaustion signal to the receiver as well as the body indicator blinks when the battery voltage declines below a certain level.

■EXTERNAL DIMENSIONS (UNIT: mm)



■OPTIONAL ACCESSORIES



- Lithium battery <U9VL>
(10 pcs/pkg)



- AC adapter <DC-1115>

■SPECIFICATIONS

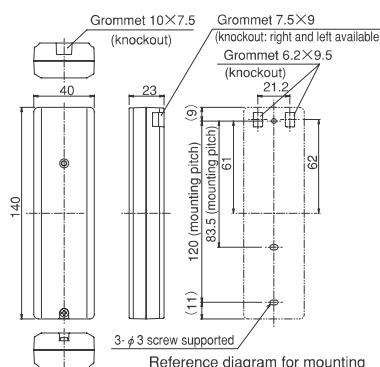
Model No.	TX-102A	TX-102BK
Input signal	Alarm input: 1 circuit Tamber input: 1 circuit	Alarm input (N.C. only)/Tamber input: 1 circuit for each (With the alert/cancellation switch)
Voltage	9V DC (alkaline battery) or 10 to 15V DC	
Battery life	Approx. 2 years (10 transmissions per day) *The battery life is only for reference for the operation at normal temperature, which is not guaranteed.	
Operating frequency band (output)	426MHz band (10mW max.)	
Radio wave arrival distance	Approx. 100m (line-of-sight distance)	
Included functions	Battery exhaustion function/Regular transmission function/Transmission mode changeover function/Tamber function	
Mounting position	Indoor	
Ambient temperature range	-10°C to +50°C	
Weight	Approx. 120g	
Appearance	ABS resin (white)	

■CONTACT INPUT TYPE TRANSMITTER TX-116 TX-116L



- Low cost contact input type transmitter
- Two types are available: alkaline battery and long life lithium battery specifications. Can operate using an external power supply from 5V DC to 15V DC.
- Incorporates the transmission control function which decreases the transmission frequency to extend the battery life when connected with a sensor with a high frequency of alarm activation.

■EXTERNAL DIMENSIONS (UNIT: mm)



■OPTIONAL ACCESSORIES



- Dedicated lithium battery <CR17450E-R-2-CM2>



- AC adapter <DC-1115>

■SPECIFICATIONS

Model No.	TX-116	TX-116L
Power supply	AA alkaline battery x 2 (3V DC) or 5 to 15V DC 35mA	Dedicated lithium battery CR17450E-R-2-CM2 (3V DC) or 5 to 15V DC 35mA
Battery life	Approx. 2 years (100 transmissions per day, at normal temperature)	Approx. 8 years (100 transmissions per day, at normal temperature)
	*The battery life is only for reference for the operation at normal temperature, which is not guaranteed.	
Radio wave arrival distance	Approx. 100m (line-of-sight distance)	
Ambient temperature range	-10°C to +50°C (The battery function may deteriorate below 0°C or at 40°C or higher.)	
Mounting position	Indoor	
Included functions	One-shot transmission/repeat transmission switchover function Controlled transmission function Battery exhaustion alarm function Regular transmission function Body tamper	
Weight	Approx. 105g (including battery)	Approx. 100g (including battery)
Appearance	ABS resin (white)	