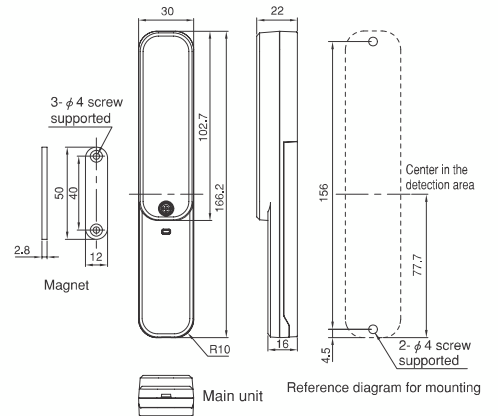


■MAGNET SWITCH TRANSMITTER (ONE PIECE TYPE) TX-115 (B) TX-115 (W) TX-115 (G) TX-115L (B) TX-115L (W) TX-115L (G)



- A switching sensor transmitter with the magnet switch built in.
- One sensor unit is enough to detect a double window if installed on the top of a sash crescent.
- Can be installed on the door, window, or other opening parts.
- No wiring is required between the transmitter and magnet switch, which does not affect the appearance.
- A waterproof transmitter which can be used in the bathroom
- Two types are available: alkaline battery or long life lithium battery.
- Has a radio wave arrival distance of approx. 100m (line-of-sight distance)

■EXTERNAL DIMENSIONS (UNIT: mm)



■OPTIONAL ACCESSORIES

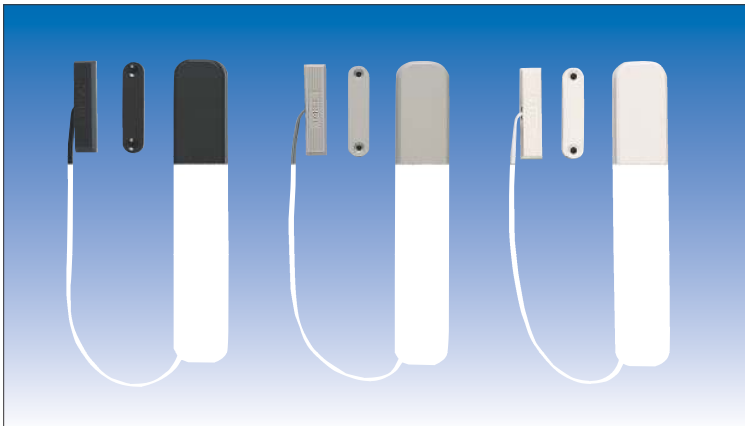


- Lithium battery <CR17450E-R-CM1>

■SPECIFICATIONS

| Model No. | TX-115 (B) | TX-115 (W) | TX-115 (G) | TX-115L (B) | TX-115L (W) | TX-115L (G) |
|---------------------------|---|------------|------------|---------------------------------|-------------|-------------|
| Power supply | AAA alkaline battery LR03 x 2 | | | Lithium battery: CR17450E-R-CM1 | | |
| Operating distance | 20mm max. (between magnet and switch) | | | | | |
| Battery life | AAA alkaline battery: Approx. 2 years Lithium battery R17450E-CM1: Approx. 8 years (20 transmissions per day) *The battery life is only for reference for the operation at normal temperature, which is not guaranteed. | | | | | |
| Included functions | Battery exhaustion function, Regular transmission function, Tamper transmission function | | | | | |
| Ambient temperature range | -10°C to +50°C (The battery function may deteriorate below 0°C or at 40°C or higher.) | | | | | |
| Weight | Approx. 80g (including battery) | | | | | |
| Appearance | ASA resin | | | | | |
| | Dark brown | White | Gray | Dark brown | White | Gray |

■MAGNET SWITCH TRANSMITTER (SEPARATE TYPE) TX-115C (B) TX-115C (W) TX-115C (G) TX-115CL (B) TX-115CL (W) TX-115CL (G)



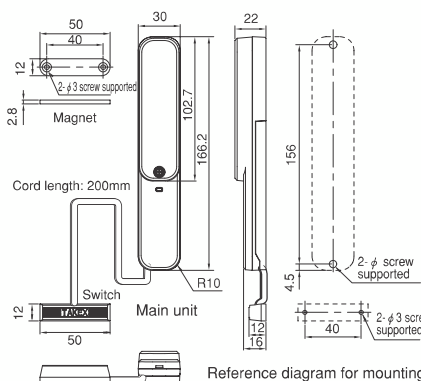
- A switching sensor transmitter with the magnet switch separated externally using a lead wire.
- As the switch part is separated, this unit can be installed even on a single window, where there is a narrow space between the inside net window and main window.
- Can be installed on the door, window, or other opening parts.
- A waterproof transmitter which can be used in the bathroom
- Two types are available: alkaline battery or long life lithium battery.
- Has a radio wave arrival distance of approx. 100m (line-of-sight distance)

■OPTIONAL ACCESSORIES



- Lithium battery <CR17450E-R-CM1>

■EXTERNAL DIMENSIONS (UNIT: mm)



■SPECIFICATIONS

| Model No. | TX-115C (B) | TX-115C (W) | TX-115C (G) | TX-115CL (B) | TX-115CL (W) | TX-115CL (G) |
|---------------------------|---|-------------|-------------|---------------------------------|--------------|--------------|
| Power supply | AAA alkaline battery LR03 x 2 | | | Lithium battery: CR17450E-R-CM1 | | |
| Operating distance | 20mm max. (between magnet and switch) | | | | | |
| Battery life | AAA alkaline battery: Approx. 2 years Lithium battery R17450E-CM1: Approx. 8 years (20 transmissions per day) *The battery life is only for reference for the operation at normal temperature, which is not guaranteed. | | | | | |
| Included functions | Battery exhaustion function, Regular transmission function, Tamper transmission function | | | | | |
| Ambient temperature range | -10°C to +50°C (The battery function may deteriorate below 0°C or at 40°C or higher.) | | | | | |
| Weight | Approx. 87g (including battery) | | | | | |
| Appearance | ASA resin | | | | | |
| | Dark brown | White | Gray | Dark brown | White | Gray |