

## GLASS BREAKAGE SENSOR TRANSMITTER TX-116GS TX-116GSL



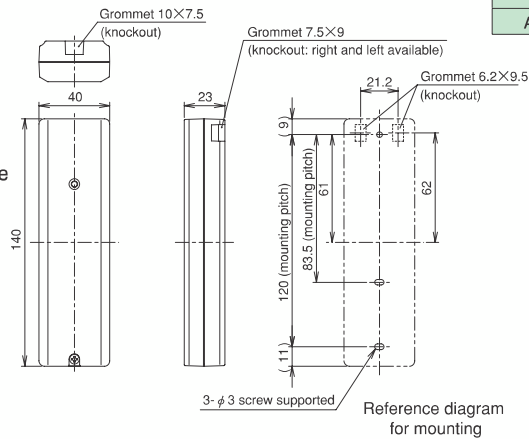
- Detects the glass breakage of a window, door or shop window.
  - A transmitter combining TX-116 with the glass breakage sensor GS-04.
  - Has a piezoelectric glass breakage sensor to bond to the glass surface.
  - Alert area: 180 cm radius and less (On glass surface)
  - Two types are available: alkaline battery and long life lithium battery.
  - Up to 10 dedicated glass breakage sensors (GS-04) can be connected.
- \* Dedicated adhesive (Optional) KE-347T

### SPECIFICATIONS

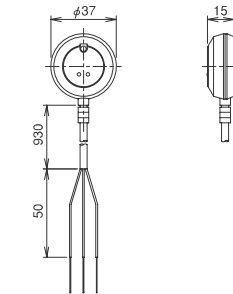
Model No.	TX-116GS	TX-116GSL
Voltage	AA alkaline battery x 2 Lithium battery CR17450E-R2CM2	
Battery life	AA alkaline battery: Approx. 2 years Lithium battery CR17450E-R2CM2: Approx. 8 years (1 transmission per day) *The battery life is only for reference for the operation at normal temperature, which is not guaranteed.	
Radio wave arrival distance	Approx. 100m (line-of-sight distance)	
Included functions	Battery exhaustion function/Regular transmission function Transmission mode changeover function/ Tamper function/Controlled transmission function	
Weight	Glass breakage sensor: Approx. 40g Transmitter: Approx. 100g (including battery)	
Appearance	ABS resin (white)	

### EXTERNAL DIMENSIONS (UNIT: mm)

#### <Transmitter>



#### <Sensor>



### OPTIONAL ACCESSORIES



● GS checker  
<EG-01>



● Dedicated adhesive  
<KE-347T>



● Dedicated lithium battery  
<CR17450E-R-2-CM2>



● Glass breakage sensor  
<GS-04>

## GLASS BREAKAGE SENSOR TRANSMITTER TX-112

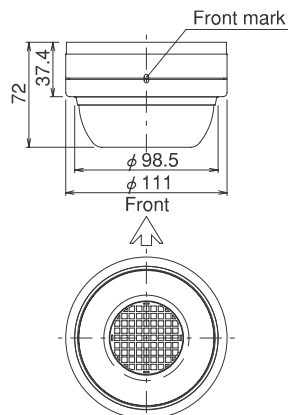


- A transmitter combining the sound collecting glass sensor with the transmission unit.
- Two different ultrasonic wave detection circuits securely catch the breaking sound (ultrasonic wave band) generated by the shock in the flat glass of the window or shop window, and a radio wave is transmitted.
- The angle can be adjusted both horizontally and vertically to set the best detection area.
- The sensitivity can be set according to the installation conditions.
- Regular transmission function is available to regularly notify the transmitter condition to the corresponding receiver to check for errors such as transmitter breakage.
- Two modes are selectable for the indicator: the check mode to check the peripheral ultrasonic wave environment and the sensor operation status, and the alert mode when the indicator displays nothing during an alert.
- Equipped with an anti-tampering function to notify of when the sensor is removed due to vandalism or on purpose.
- The power supply is 10 to 16V DC, or the dedicated AC adapter DC-1115 is required. (Note that this unit does not operate using a battery.)

### SPECIFICATIONS

Model No.	TX-112
Detection system	Ultrasonic wave collection system
Alert area	Vertical direction: 8m Horizontal direction: 7m (when mounted on the ceiling)
Area angle adjustment range	Vertical direction: 36° (3° pitch) Horizontal direction: 25° (at the base mounting hole)
Voltage	10 to 16V DC or dedicated AC adapter (DC-1115)
Consumption current	Standby: 25mA max. Transmission: 80mA max.
Operating frequency band (output)	426MHz band (10mW max.)
Radio wave arrival distance	Approx. 100m (outdoor line-of-sight distance)
Antenna	Incorporated
Included functions	Regular transmission function, Tamper function, Alarm memory function, Environment check function
Mounting position	Indoor (on the ceiling or wall)
Ambient temperature range	-10°C to +50°C (no condensation)
Weight	Approx. 230g
Appearance	Housing: ABS resin (white) Cover: PE resin (white)

### EXTERNAL DIMENSIONS (UNIT: mm)



### OPTIONAL ACCESSORIES

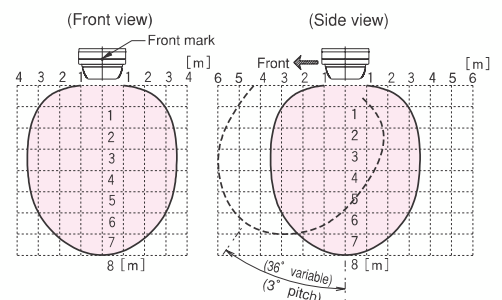


● Dedicated AC adapter  
<DC-1115>



● Glass checker  
<EG-1000>

### Detection Area Diagram



Sensitivity volume: Max. (H)