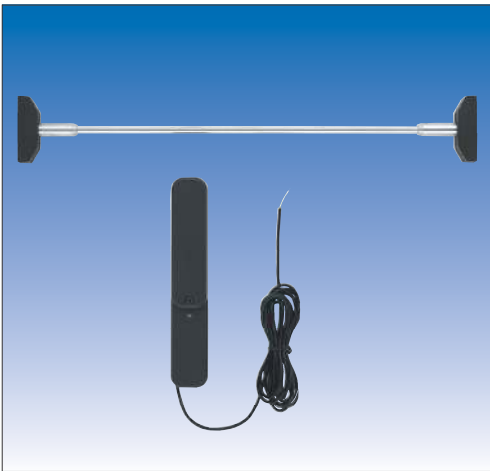


WIRELESS SECURITY SYSTEM

WATERPROOF STICK SENSOR TRANSMITTER TX-119LS400 TX-119LS600 TX-119LS780



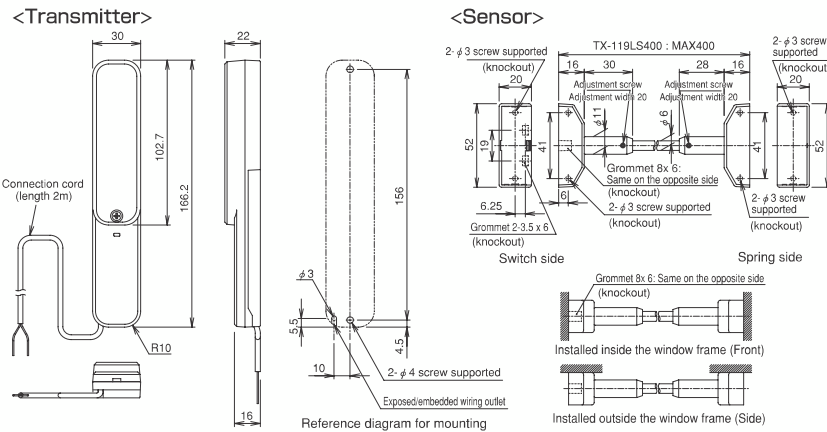
- Transmitter by combining waterproof contact input transmitter TX-119 with the stick sensor SK-400/600/780 (bronze color only).
- Suitable for the alert of jalousie windows in the bathroom as both the stick sensor and transmitter are waterproof.
- The stick sensor and 2m long connection cable are attached with the transmitter body.
- Switchable between the one-shot and repeat transmission modes
- The transmitter includes an anti-tampering function.

OPTIONAL ACCESSORIES



- Lithium battery <CR17450E-R-CM1>

EXTERNAL DIMENSIONS (UNIT: mm)



SPECIFICATIONS

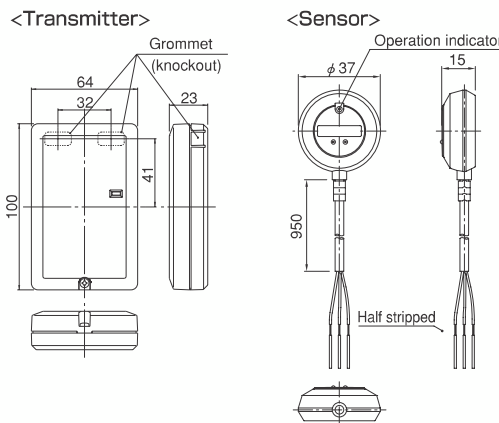
Model No.	TX-119LS400	TX-119LS600	TX-119LS780
Stick sensor			
Switching life	100,000 operations min.		
Ambient temperature range	-25°C to +60°C		
Mounting position	Outdoor, indoor (Caulking necessary on the terminals for outdoor installation)		
Weight	Approx. 90g	Approx. 110g	Approx. 130g
Appearance	Pole, pole end: Stainless Base, cover: PC resin (bronze)		
Transmitter			
Power supply	Dedicated lithium battery CR17450E-R-CM1 x 1 (3V DC)		
Battery life	Approx. 8 years (20 transmissions per day) *The battery life is only for reference for the operation at normal temperature, which is not guaranteed.		
Radio wave arrival distance	Approx. 100m (line-of-sight distance)		
Ambient temperature range	-10°C to +50°C (The battery function may deteriorate below 0°C or at 40°C or higher)		
Mounting position	Indoor, outdoor		
Included functions	One-shot transmission/repeat transmission switchover function Controlled transmission function Battery exhaustion alarm function Regular transmission function Body tamper		
Weight	Approx. 100g (including battery)		
Appearance	ASA resin (bronze)		

GLASS BREAKAGE SENSOR TRANSMITTER TX-102GS



- A transmitter combining the contact input transmitter TX-102A with the glass breakage sensor GS-03.
 - Detects the special vibration frequency generated when glass breaks.
 - Has a piezoelectric glass breakage sensor to bond to the glass of window or shop window.
 - Up to 10 dedicated glass breakage sensors (GS-03) can be connected.
- * Dedicated adhesive (Optional) KE-347T

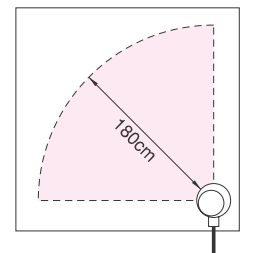
EXTERNAL DIMENSIONS (UNIT: mm)



SPECIFICATIONS

Model No.	TX-102GS
Detection system	Piezoelectric
Power supply	Alkaline battery 6LR61 (9V DC) included
Battery life	Approx. 2 years (10 transmissions per day) *The battery life is only for reference for the operation at normal temperature, which is not guaranteed.
Operating frequency band (output)	426MHz band (10mW max.)
Radio wave arrival distance	Approx. 100m (line-of-sight distance)
Mounting position	Indoor
Ambient temperature range	-10°C to +50°C
Weight	Transmitter: Approx. 120g Sensor: Approx. 30g
Appearance	ABS resin (white)

Detection Area Diagram



When installed in the corner of the glass surface
Detection area: Fan-like form with a radius of R around the sensor

When installed in the center of the glass surface
Detection area: Circle form with a radius of R around the sensor

* R depends on the glass thickness.

Glass thickness	Detection area
6mm max.	R=300 x Glass thickness (mm)
6mm min.	R=1800mm (constant)

OPTIONAL ACCESSORIES



- Lithium battery <U9VL>(10 pcs/pkg)



- GS checker <EG-01>



- Dedicated adhesive <KE-347T>



- Glass breakage sensor <GS-03>