

PHOTOELECTRIC SENSOR TRANSMITTER TX-121

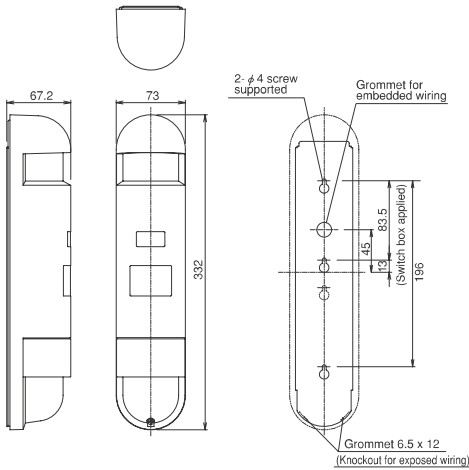


- A wireless transmitter built in to a photoelectric sensor.
- Suitable for home security with simple application to a window, fence, or boundary.
- Stable protection guaranteed with a 2 beam AND detection system with a vertical interval of 240mm
- Since the modulation frequency of photoelectric sensor beam can be adjusted between High and Low, interference with an adjacent sensor can be prevented.
- The shade time of the photoelectric beam can be adjusted.
- Horizontal adjustment of the photoelectric axis is possible.
(Note: Vertical adjustment is not possible.)
- Repeatedly transmits the alarm signal every 20 seconds in the continuous transmission mode.

SPECIFICATIONS

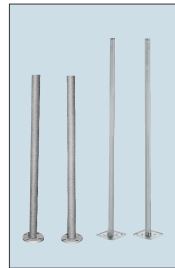
| | |
|-----------------------------|---|
| Model No. | TX-121 |
| Alert distance | Outdoor 15m max. (indoor 30m max.) |
| Voltage | 100V AC (50/60Hz) |
| Operating frequency band | 426MHz band (wireless equipment of low power security system) |
| Radio wave arrival distance | Approx. 100m (line-of-sight distance) |
| Included functions | Infrared frequency changeover function (L ↔ H) AGC circuit, frost proof cover, Regular transmission function |
| Ambient temperature range | -10°C to +50°C |
| Mounting position | Outdoor, indoor |
| Weight | Phototransmitter: Approx. 620g Photoreceiver: Approx. 680g |
| Appearance | PC resin (wine red) |

EXTERNAL DIMENSIONS (UNIT: mm)

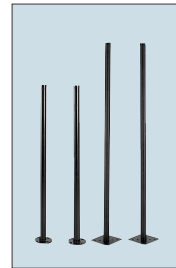


Reference diagram for mounting

OPTIONAL ACCESSORIES



- Pole
<KP-100> (Galvanized) (2 in 1 set)
<KP-150> (Galvanized) (2 in 1 set)



- Pole
<KP-100B> (Black coating) (2 in 1 set) Height: 100cm
<KP-150B> (Black coating) (2 in 1 set) Height: 100cm



- L-shape pole
<KP-48L> (Galvanized) (2 in 1 set) Height: 48cm
<KP-90L> (Galvanized) (2 in 1 set) Height: 90cm



- L-shape pole
<KP-80LS> (Chromate coating) 1 80cm (H) x 15cm (D)
<KP-80LS> (B) (Black coating) 1 80cm (H) x 15cm (D)



- L-shape pole
<KP-80LL> (Chromate coating) 1 80cm (H) x 30cm (D)
<KP-80LL> (B) (Black coating) 1 80cm (H) x 15cm (D)

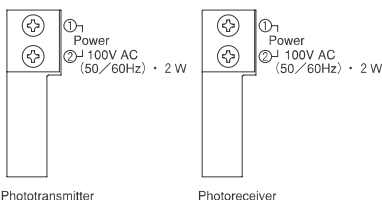


- L-shape black pole
<KP-30L> (Galvanized) (2 in 1 set) 25cm (H) x 35cm (D)
<KP-30L> (B) (Black coating) (2 in 1 set) 25cm (H) x 35cm (D)

WIRING DIAGRAM

(Note: A qualified electrical worker should be responsible for wiring to products of 100 V AC.)

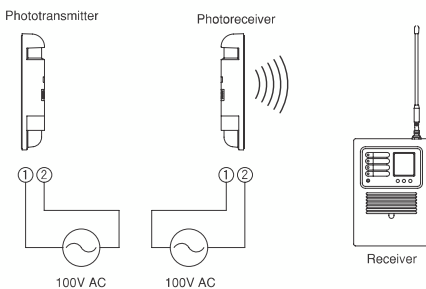
Terminal Arrangement



Phototransmitter

Photoreceiver

Standard Connection



Multi-unit connection Linear alert

