

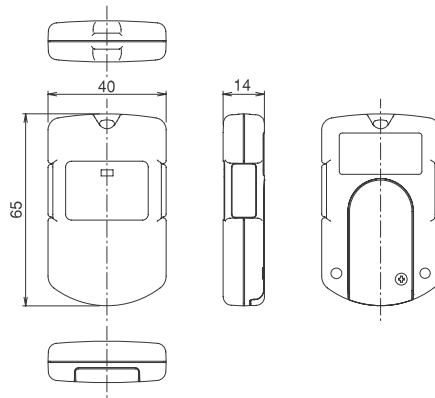
■PENDANT TYPE TRANSMITTER TX-122



When the neck strap is attached

- A pendant type transmitter to be used with a simple light push of the button.
- Erroneous operation can be avoided because the alarm is transmitted when pushing two buttons on the right and left side at the same time.
- Two transmission modes are available: one-shot transmission which transmits the radio wave once, and continuous transmission which keeps transmitting until reset.
- Monitors the radio wave arrival status using the regular transmission function at the receiver.
- Transmits the battery exhaustion signal to the receiver and the body indicator blinks when the battery voltage drops below a certain level.
- Utilizes a general coin type lithium battery (CR2032) for simple replacement.
- The battery normally lasts around 2 years when transmitting once a day.

■EXTERNAL DIMENSIONS (UNIT: mm)



■SPECIFICATIONS

Model No.	TX-122
Voltage	3V DC (coin-type lithium battery [CR2032] x 1)
Battery life	Approx. 2 years (1 transmission per day) *The battery life is only for reference for the operation at normal temperature, which is not guaranteed.
Transmission frequency	426MHz band (wireless equipment of low power security system)
Transmission output	3mW max.
Antenna	Incorporated
Radio wave arrival distance	100m max. (line-of-sight distance)
Indicator (red LED)	Transmission: ON Battery exhaustion alarm: Blinks
Ambient temperature range	-10°C to +50°C (The battery function may deteriorate below 0°C.)
Included functions	One-shot transmission/Continuous transmission changeover function Battery exhaustion function, Regular transmission function
Weight	Approx. 25g (including battery)
Appearance	ABS resin (white, red)
Accessories	Coin-type lithium battery (CR2032) Neck strap

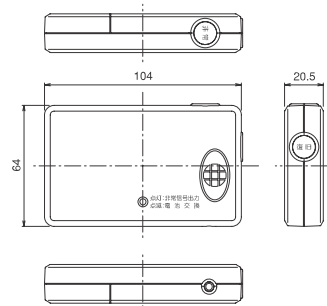
■ALARM PUSH BUTTON TRANSMITTER TX-117



Soft case (Accessory)

- A push button transmitter equipped with the alarm function, which enables on-the-spot intimidation and/or site identification using sound.
- When pressing the emergency button, an alarm of approximately 95dB rings and the signal is repeatedly transmitted until the reset button is pressed.
- A soft case is available to attach the transmitter to a belt.
- Equipped with a transmission delay timer to prevent erroneous operation.
- Notifies of battery exhaustion with blinking of the body indicator.
- Can also transmit radio waves without ringing the alarm.

■EXTERNAL DIMENSIONS (UNIT: mm)



■SPECIFICATIONS

Model No.	TX-117	
Voltage	9V DC alkaline battery:6LR61 (6LF22)	
Battery life	Approx. 1 year (when transmitting once a day, and ringing the alarm for 10 sec. at normal temperature) *The battery life is only for reference for the operation at normal temperature, which is not guaranteed.	
Transmission part	Operating frequency	426MHz band (wireless equipment of low power security system)
	Output	10mW max.
	Antenna	Incorporated
	Radio wave arrival distance	100m max. (line-of-sight distance)
Alarm output	Semiconductor switch output (with polarity) Continuous output until the recovery button is pressed Contact rating: 28V, 0.2A (ON resistance approx. 3.5Ω) JIS C6560 complied small single headed plug supported (mini plug with a diameter of 3.5mm)	
Transmission delay timer	0 (None), 5, 10, 15 sec.	
Operation switch	Emergency/Recovery buttons	
Alarm sound	Preliminary alarm (beep, beep, beep, beep) Full alarm (Piririri, piririri) With/without the alarm sound: Changeable Sound volume: Approx. 95dB/1m (Volume may be extremely low when the battery is exhausted.)	
Indicator (red LED)	Transmission: ON Battery exhaustion: Blinks	
Ambient temperature range	-10°C to +50°C (The battery function may deteriorate below 0°C or at 40°C or higher.)	
Included functions	Battery exhaustion function/ Regular transmission function	
Weight	Approx. 140g (including battery and soft case)	
Appearance	Housing: ABS resin (black) Soft case: PU resin (transparent, black)	